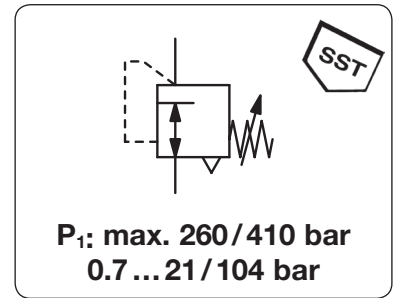


Description	High pressure regulator with high flow and high reliability. Large piston sensor for high sensitivity and balanced stem design for constant downstream pressure.	
Media	compressed air, non-corrosive gases or liquids	
Supply pressure	max. 260 bar, optionally up to 345 bar or 410 bar	
Leakage rate	< 1 x 10 ⁻⁴ mbar l/s He	
Adjustment	by black plastic knob	
Relieving function	relieving, optionally non-relieving	
Gauge port	none, optionally 1/4" NPT for inlet and outlet pressure	
Mounting position	any	
Temperature range	-25 °C to 100 °C / -13 °F to 212 °F	
Material	Body: brass, optionally stainless steel	O-rings: NBR/Buna-N and FKM
	Main valve seat: CTFE, PTFE at RH3-04B	Relieving valve: CTFE, PTFE at RH3-04B/-04C
	Inner valve: PTFE and brass, optionally stainless steel	



Dimensions			K _v	Flow rate		Connection	Pressure range	Order number
A	B	C	value	m ³ /h*	l/min*	thread	bar	
mm	mm	mm	(m ³ /h)			NPT		

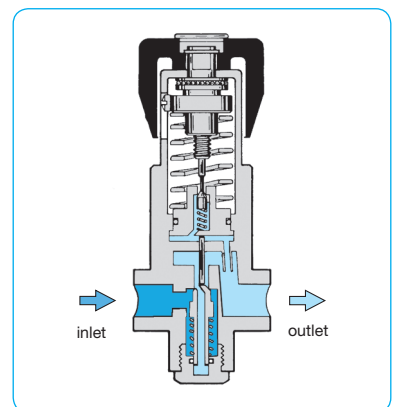
High pressure regulator 260 bar, 1/2" NPT							relieving, brass	RH3
76	203	45	1.7	420	7000	1/2" NPT	0.7 ... 21	RH3-04B
							1.0 ... 42	RH3-04C
							1.4 ... 70	RH3-04D
							3.4 ... 104	RH3-04E



RH3

Special options, add the appropriate letter

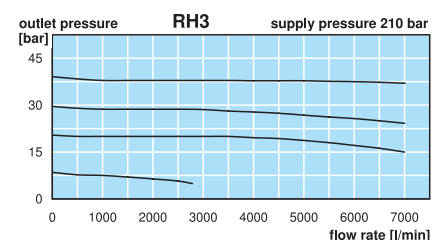
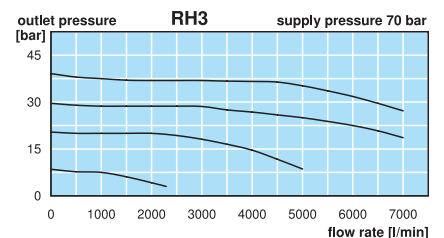
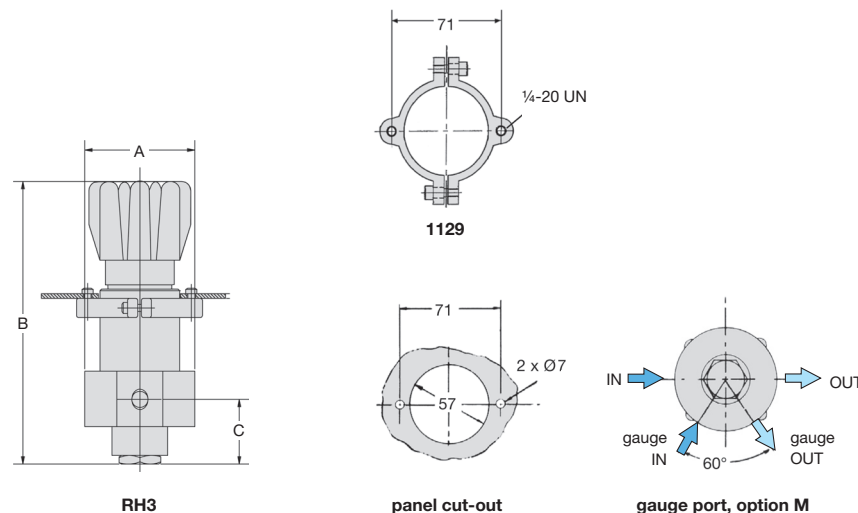
3/4" NPT	connection thread		RH3-06.
non-relieving	without relieving function		RH3-0..K
SST, 310 bar	body: stainless steel 316		RH3-0..S1
SST, 410 bar	body: stainless steel 316,	pressure range 3 ... 172 bar	RH3-0.S2
brass, 345 bar	body: brass,	pressure range 3 ... 172 bar	RH3-0.U
gauge port	1/4" NPT for inlet and outlet		RH3-0.M
brass pressure gauge	inlet side HM	outlet side	RH3-0..MGM
SST pressure gauge	inlet side H	outlet side	RH3-0..MG



cross section

Accessories, enclosed

set of mounting brackets for panel mounting **1129**



*1 at 210 bar supply pressure and 40 bar outlet pressure